

STAINLESS STEEL CHECK VALVE STAMPED WITH SPRING



Size : DN 1/4" to 4"
Ends : Female-Female BSP
Min Temperature : - 10°C
Max Temperature : + 150°C
Max Pressure : 16 Bars
Specifications : Disc check valve
All positions
Short length

Materials : Stainless steel

STAINLESS STEEL CHECK VALVE STAMPED WITH SPRING

SPECIFICATIONS :

- Stainless steel stamped check valve
- All positions (respect the flow direction indicated by the arrow)
- Short length

USE :

- Chemical and pharmaceutical industries, petrochemical industries, hydraulic installation, compressed air
- Max Temperature Ts : - 10°C
- Min Temperature Ts :+ 150°C
- Max Pressure Ps : 16 bars

OPENING PRESSURE (in mbar) :

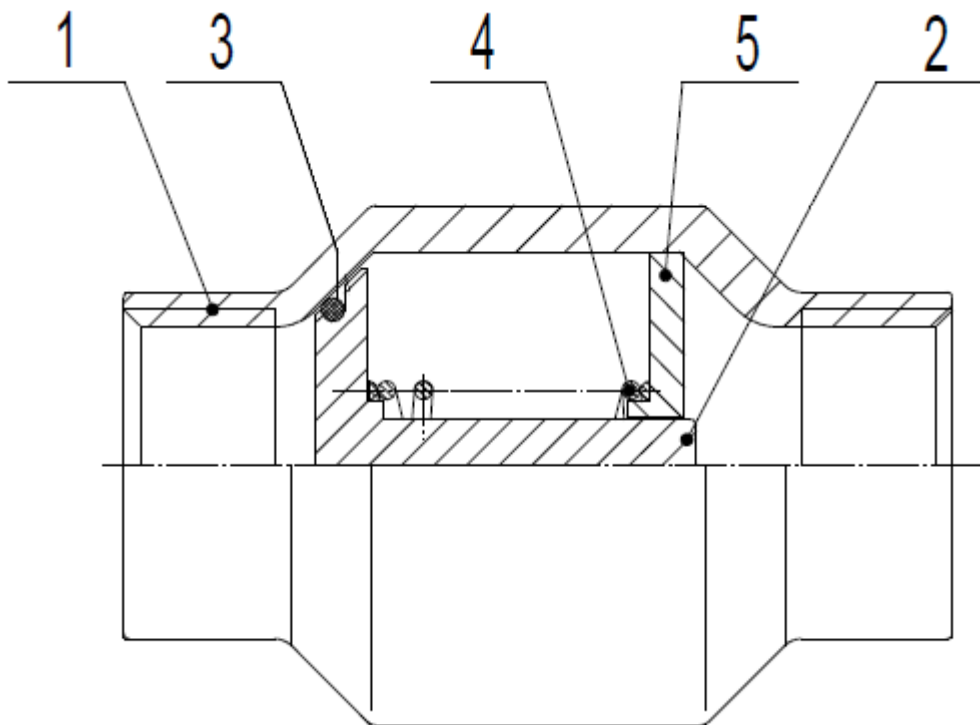
DN	Opening pressure (mbar)
1/4"	100
3/8"	100
1/2"	100
3/4"	200
1"	200
1"1/4	300
1"1/2	400
2"	450
2"1/2	700
3"	1000
4"	1000

RANGE :

- SS 316 body Female / female BSP cylindric threaded **Ref. 326** from DN 1/4" to DN 4"
- SS 304 body Female / female BSP cylindric threaded **Ref. 327** from DN 1/4" to DN 4"

STAINLESS STEEL CHECK VALVE STAMPED WITH SPRING

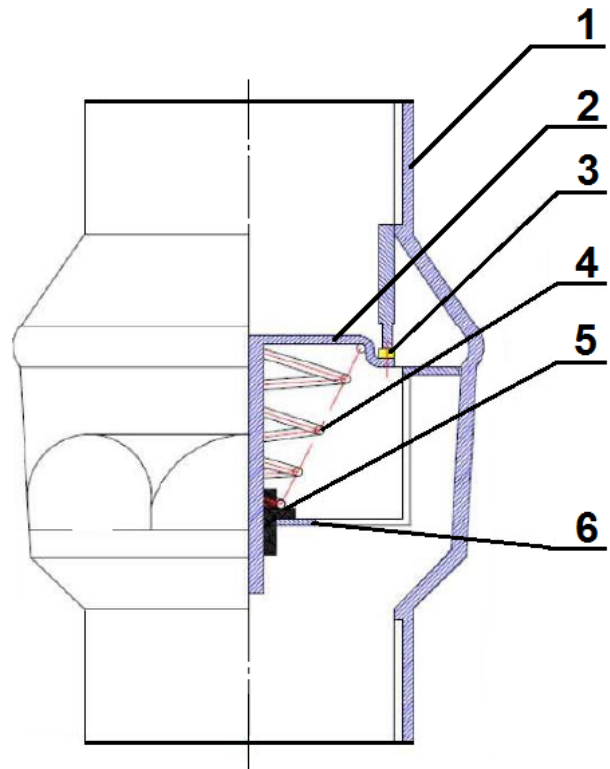
MATERIALS DN 1/4-1/2" :



Item	Designation	Materials Ref.326	Materials Ref.327
1	Body	SS 316	SS 304
2	Disc	SS 304	SS 304
3	Gasket	Black FKM	Black FKM
4	Spring	SS 304	SS 304
5	Holder	SS 304	SS 304

STAINLESS STEEL CHECK VALVE STAMPED WITH SPRING

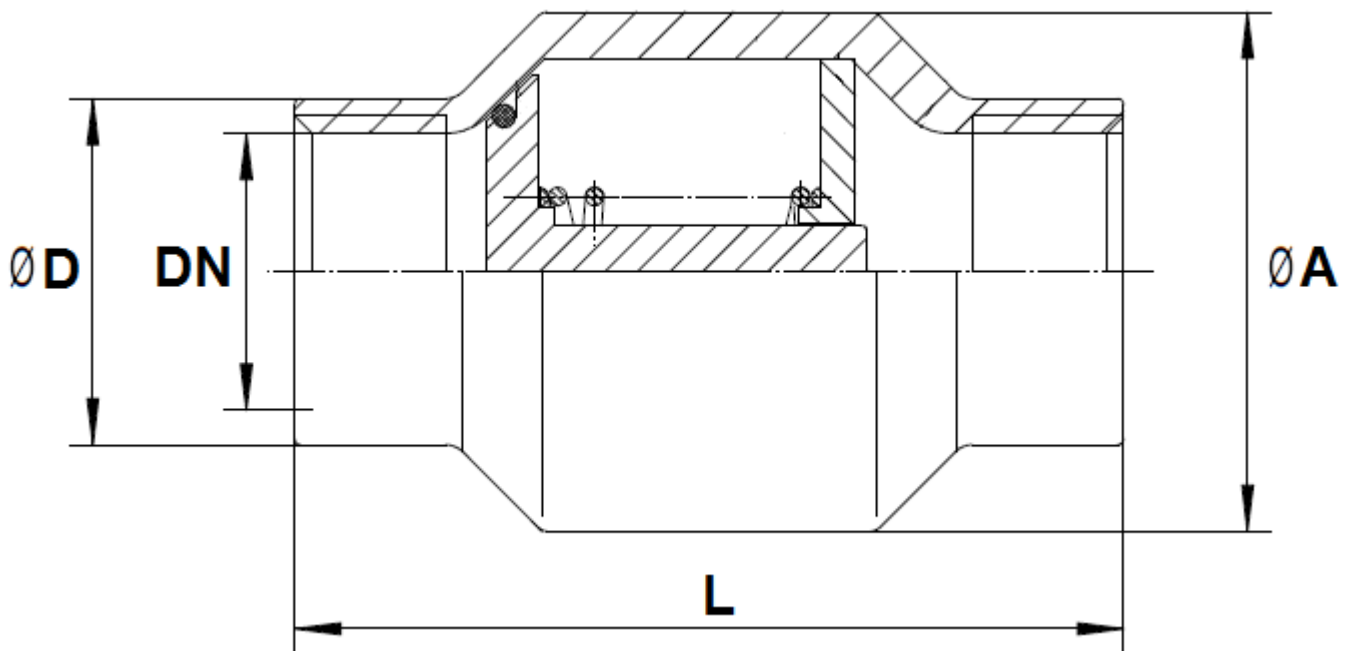
MATERIALS DN 3/4-4" :



Item	Designation	Materials Ref.326	Materials Ref.327
1	Body	SS 316	SS 304
2	Disc	SS 304	SS 304
3	Gasket	Black FKM	Black FKM
4	Spring	SS 304	SS 304
5	Guiding bush	PTFE	PTFE
6	Holder	SS 304	SS 304

STAINLESS STEEL CHECK VALVE STAMPED WITH SPRING

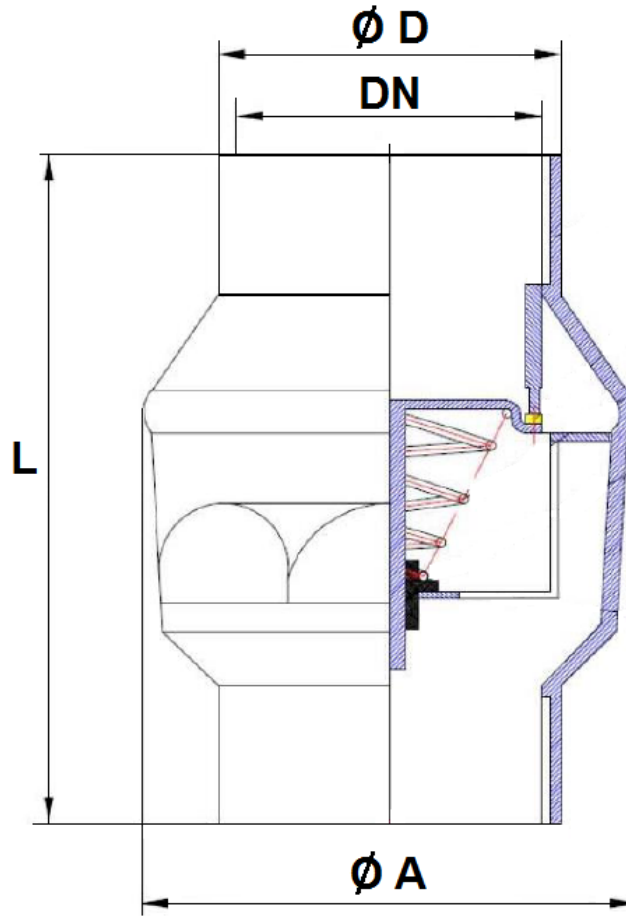
SIZE DN 1/4 - 1/2" (in mm) :



Ref.	DN	1/4"	3/8"	1/2"
326-327	L	66	66	66
	Ø A	32	32	32
	Ø D	18	22	24
326	Weight (in Kg)	0.13	0.14	0.13
327	Weight (in Kg)	0.12	0.11	0.12

STAINLESS STEEL CHECK VALVE STAMPED WITH SPRING

SIZE DN 3/4 - 4" (in mm) :



Ref.	DN	3/4"	1"	1"1/4	1"1/2	2"	2"1/2	3"	4"
326-327	L	72	83	105	115	125	145	162.5	189.5
	Ø A	45	55	70	76	89	109	132	168
	Ø D	30	36	45.5	51	64	80	93	120
326	Weight (Kg)	0.18	0.26	0.53	0.64	1.03	1.43	2.55	
327	Weight (Kg)	0.16	0.23	0.48	0.57	0.94	1.30		

Sferaco 90 rue du Ruisseau 38297 St Quentin Fallavier Tel: + 33 (0) 474.94.15.90 Fax: + 33 (0) 474.95.62.08 Internet: www.sferaco.fr E-mail : sferaco@sferaco.fr

STAINLESS STEEL CHECK VALVE STAMPED WITH SPRING

STANDARDS :

- Fabrication according to ISO 9001 : 2008
- DIRECTIVE 97/23/CE : Concerned by article 3, § 3
- Threaded BSP cylindrical ends according to ISO 228-1

ADVICE : Our opinion and our advice are not guaranteed and SFERACO shall not be liable for the consequences of damages.
The customer must check the right choice of the products with the real service conditions.

STAINLESS STEEL CHECK VALVE STAMPED WITH SPRING

INSTALLATION INSTRUCTIONS

GENERAL GUIDELINES :

- Ensure that the check valves to be used are appropriate for the conditions of the installation (type of fluid, pressure and temperature).
- Be sure to have enough valves to be able to isolate the sections of piping as well as the appropriate equipment for maintenance and repair.
- Ensure that the check valves to be installed are of correct strength to be able to support the capacity of their usage.
- **Installation of all circuits should ensure that their function can be automatically tested on a regular basis (at least two times a year).**

INSTALLATION INSTRUCTIONS :

- **Before installing the check valves, clean and remove any objects from the pipes** (in particular bits of sealing and metal) which could obstruct and block the check valves.
- **Ensure that both connecting pipes either side of the check valve (upstream and downstream) are aligned (if they're not, the valves may not work correctly).**
- **Make sure that the two sections of the pipe (upstream and downstream) match, the check valve unit will not absorb any gaps. Any distortions in the pipes may affect the tightness of the connection, the working of the check valve and can even cause a rupture.** To be sure, place the kit in position to ensure the assembling will work.
- **During welding operation, be sure to not exceed 200°C**
- **If sections of piping do not have their final support in place, they should be temporarily fixed. This is to avoid unnecessary strain on the check valve.**
- **Fluids in the check valve must not contain solid objects (it could damaged the seat).**
- If there is a direction changing or if there's another material, it's better to take away the check valve so that it is outside the turbulence area (**between 3 and 5 times the ND before and after**).
- After a pump please refer to norm NF CR 13932 to install the check valve.