

# TDK-45

## TERMODYNAMIC STEAM TRAP

### GENERAL FEATURES

The sealing part of Ayvaz TDK-45 Thermodynamic Traps is made of stainless steel and the body is made of forged steel C 22.8 denier. In working conditions; counter pressure must not exceed 80% of front pressure. Depending on TDK-45 condensate can discharge intermittently. It is possible to supply all spare parts together with the flow convenience. Strainer is "Y" type which is under the body and the cleaning process is extremely easy.

Ayvaz TDK-45 Thermodynamic Traps must be installed on the horizontal pipeline in order to operate efficiently and for a long time. Proper isolation valves must be installed to ensure the maintenance and replacement of the trap is safe.

#### Product Features:

Body: Forged Steel  
Bonner: Transmission Steel  
Interior Parts: AISI 304 SS

#### Connections

Threaded, welded end and flanged

#### Nominal Diameters:

DN15 (1/2") - DN25 (1")

#### Pressure:

Max. 40 bar

#### Minimum Operating Pressure:

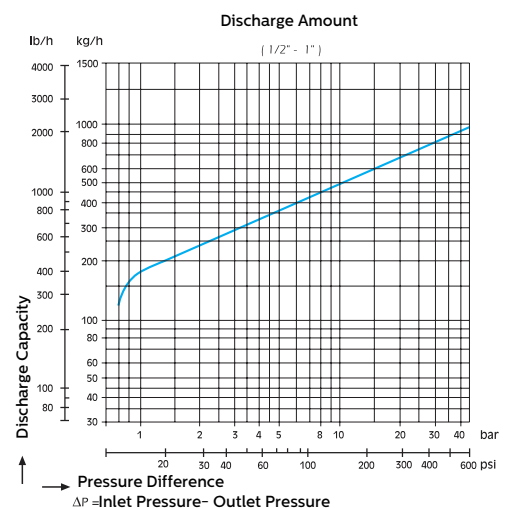
0.7 bar

#### Working Temp:

Max. working temp. 400 °C

#### Applications:

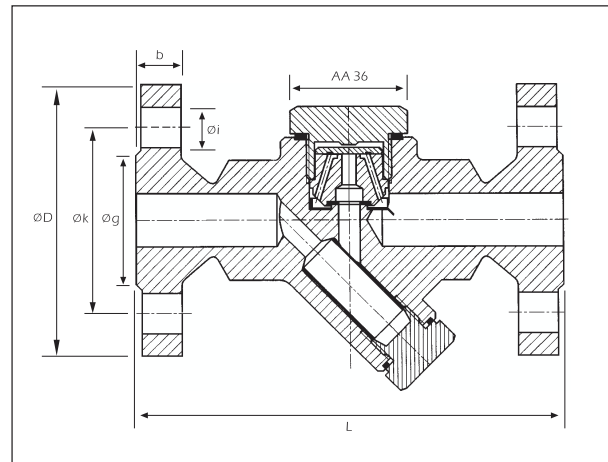
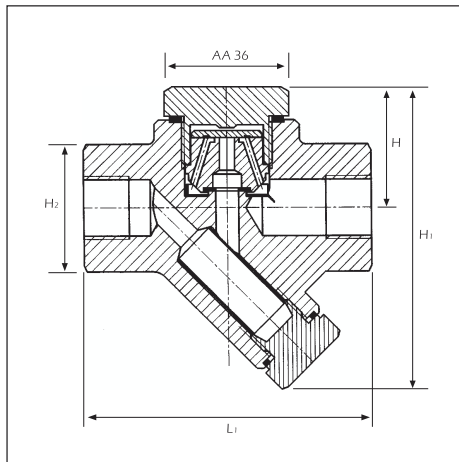
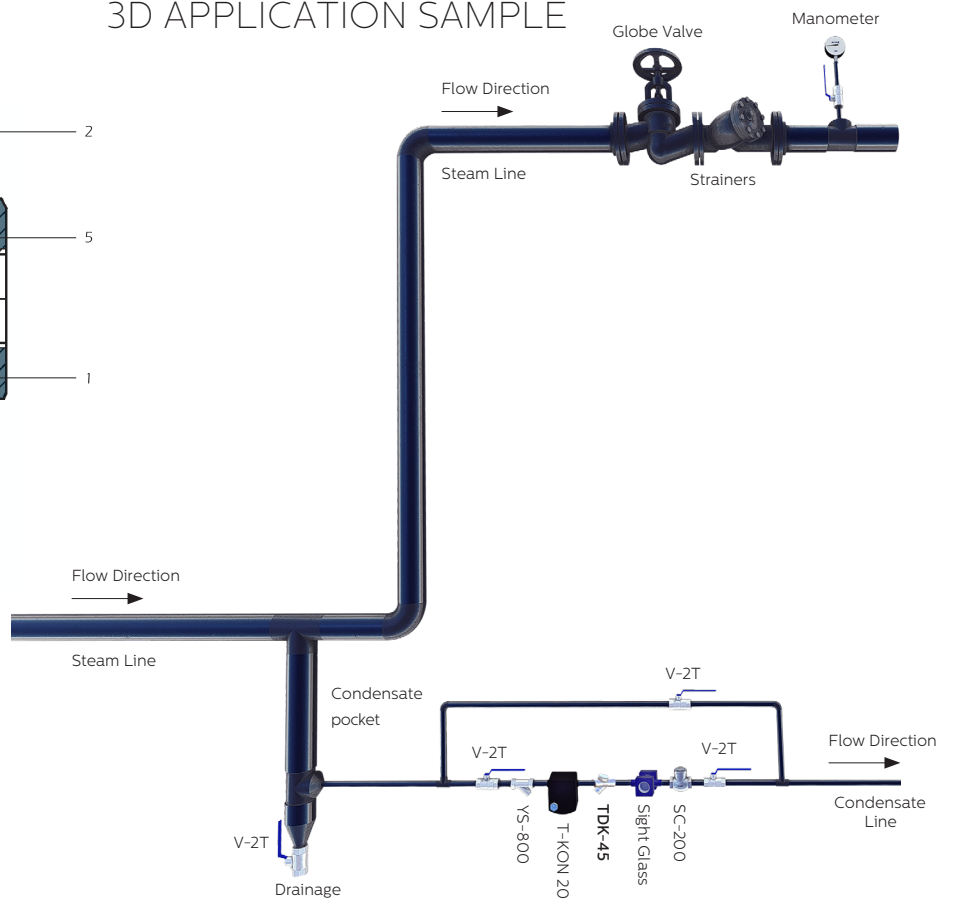
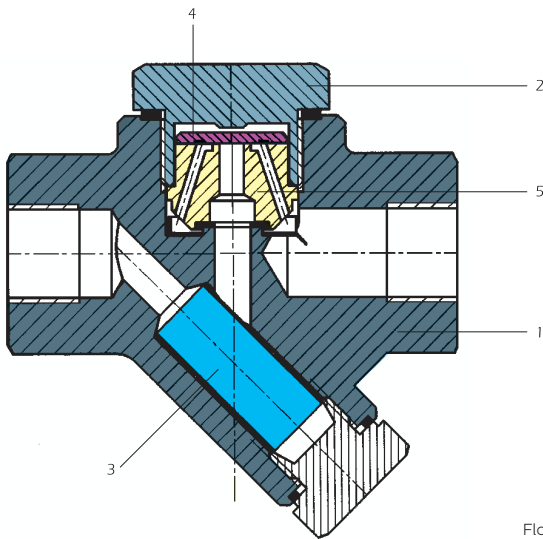
- Drying Units
- Pressing Units
- Steam Trapped Pipes
- Irons
- Condensate pocket and line breaks on main steam lines



CONNECTION	WEIGHT		
	Flanged	Threaded	Welded End
Diameter (mm)	15-20-25	1/2"-3/4"-1"	1/2"-3/4"-1"
Weight (kg)	3,4-4,1-4,5	1,8-1,7-1,6	1,9-1,9-1,9

# TDK-45 TERMODYNAMIC STEAM TRAP

## 3D APPLICATION SAMPLE



SPARE PARTS		
No	Part	Material
1	Body	Forged Steel
2	Bonner	Transmission Steel
3	Strainer	Stainless Steel
4	Disc	Stainless Steel
5	Sit	Stainless Steel

Dimension								
Dia.	L-L1	H-H1-H2	D	b	k	g	i	Num. of Holes
15	150-95	40-100-42	95	16	65	45	14	4
20	150-95	40-100-42	105	18	75	58	14	4
25	160-95	40-100-42	115	18	85	68	14	4

# TDK-45 TERMODYNAMIC STEAM TRAP

## TERMODYNAMIC STEAM TRAP



### HEAD OFFICE - FACTORY

Atatürk Sanayi Bölgesi Hadımköy Mahallesi Mustafa İnan Caddesi No: 44 Arnavutköy - İSTANBUL  
Tel: +90 212 771 01 45 (pbx) | Fax: +90 212 771 25 60

<b>Cona</b> <b>Caserta/Italy</b> Tel: +39 0823 187 3988 rmolaro@ayvaz.com	<b>Ayvaz Russia</b> <b>Moscow/Russia</b> Tel: +74959951728 ayvazrus@ayvaz.com	<b>Ayvaz Germany</b> <b>Viernheim/Germany</b> Tel: +49 62046014399 germany@ayvaz.com	<b>Ayvaz Ukraine</b> <b>Kiev/Ukraine</b> Tel: +380 44 390 57 57 info@ayvaz.com.ua	<b>Tricorr</b> <b>Warsaw/Poland</b> Tel: +48-32-783-295-1 tricorr@tricorr.eu	<b>Ayvaz Baku</b> <b>Baku/Azerbaijan</b> Tel: +99(455) 579-84-32 ahayatov@ayvaz.com
<b>Hacı Ayvaz M.E.</b> <b>Dubai/U.A.E</b> Tel: +971 563550822 +971 501306871 mideast@ayvaz.com	<b>Ayvaz China</b> <b>Jinan/China</b> Tel: +86 0574 5897 3851 info@ayvazchina.com	<b>Ayvaz Kazakhstan LLP</b> <b>Almaty/Kazakhstan</b> Tel: +7 (727) 327 97 57 info_kz@ayvaz.com www.ayvaz.kz	<b>Ayvaz N</b> <b>Isperih/Bulgaria</b> Tel: +359 8431 27 32 office@ayvaz-n.eu	<b>Ayvaz Serbia</b> <b>Belgrade/Serbia</b> Tel: +381 61 658 70 52 yakbiyik@ayvaz.com	<b>Ayvaz Vietnam</b> <b>HCMC/Vietnam</b> ggursoy@ayvaz.com