

# SK-51

## FLOAT TYPE STEAM TRAP

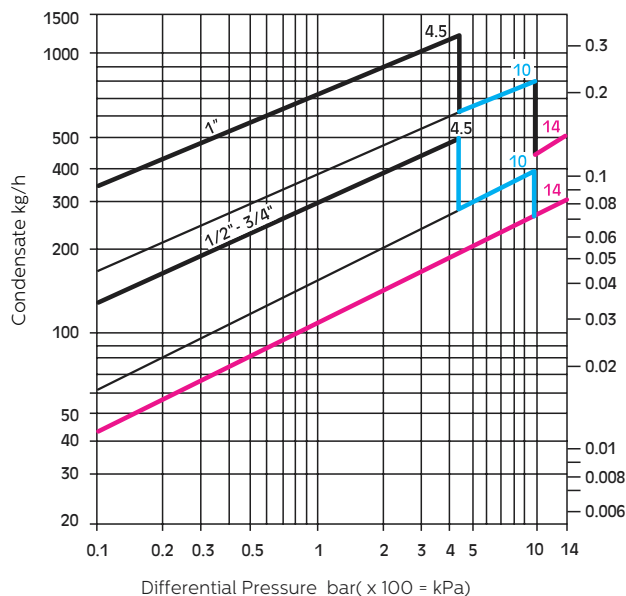
### GENERAL FEATURES

Ayvaz SK-51 float steam traps especially perform continual evacuation at the steam saturation temperature. Ayvaz SK-51 doesn't affect instantaneous and large pressure shift. SK-51 is mainly applied at the systems where the condensate is evacuated rapidly and it is also ideal for automatic temperature control system.

#### Installation:

SK-51 can be used vertically as the inlet to stay up the top and the outlet to remain at the bottom. It can also be installed horizontally from right to the left or opposite way. If it is not indicated differently in the order sheet, it will be assumed as right to the left. Will be assumed as right to the left. Cover part can be arranged according to horizontal or vertical installation type.

( 1/2" - 3/4" - 1" )



#### Discharge Chart:

- Red Chart** :  $\Delta p = 14$  bar
- Blue Chart** :  $\Delta p = 10$  bar
- Black Chart** :  $\Delta p = 4.5$  bar

#### Product Features:

- Body:** Ductile Iron GGG 40.3
- Cover:** Ductile Iron GGG 40.3
- Internals and Float:** Stainless Steel
- Connection:** Flanged and Threaded

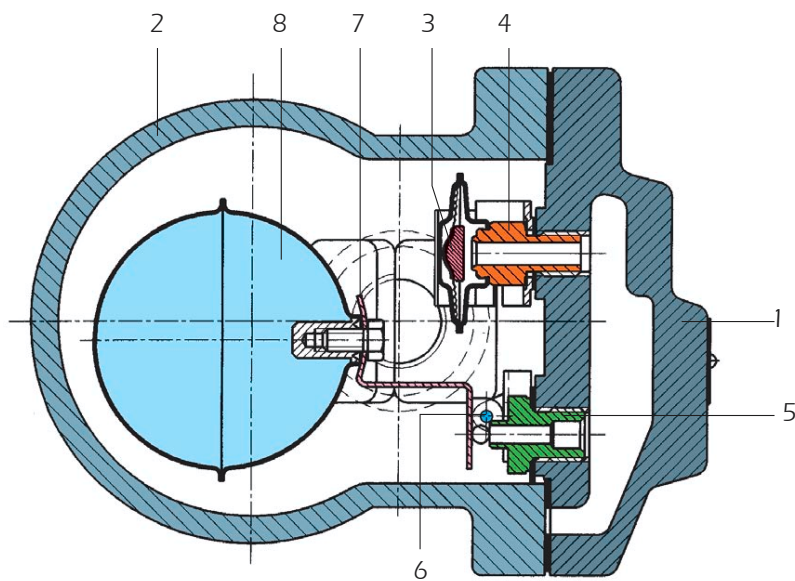
OPERATING CONDITIONS	
Max. Operating Pressure	16 bar
Max. Differential Pressure ( $\Delta P$ )	4.5-10-14 bar
Max. Operating Temperature	250 °C



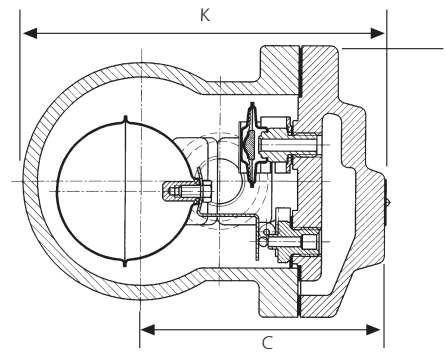
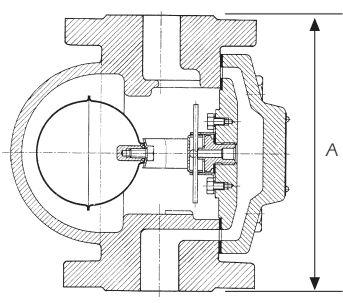
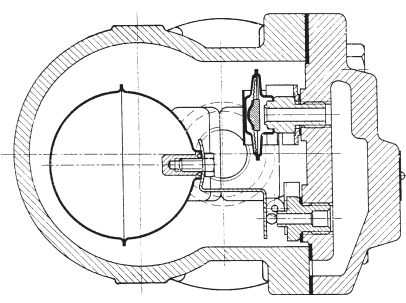
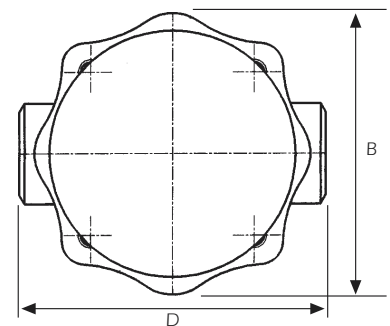
\* Please ask to our sales team for different pressures and diameters.

# SK-51 FLOAT TYPE STEAM TRAP

## CONSTRUCTION



PART LIST		
NO	PART NAME	MATERIAL
1	Cover	Ductile Iron GGG 40.3
2	Body	Ductile Iron GGG 40.3
3	Thermostatic Capsule	Stainless Steel
4	Air Drain Unit	Stainless Steel
5	Condensate Drainer	Stainless Steel
6	Orrifice	Stainless Steel
7	Float Lever	Stainless Steel
8	Float	Stainless Steel

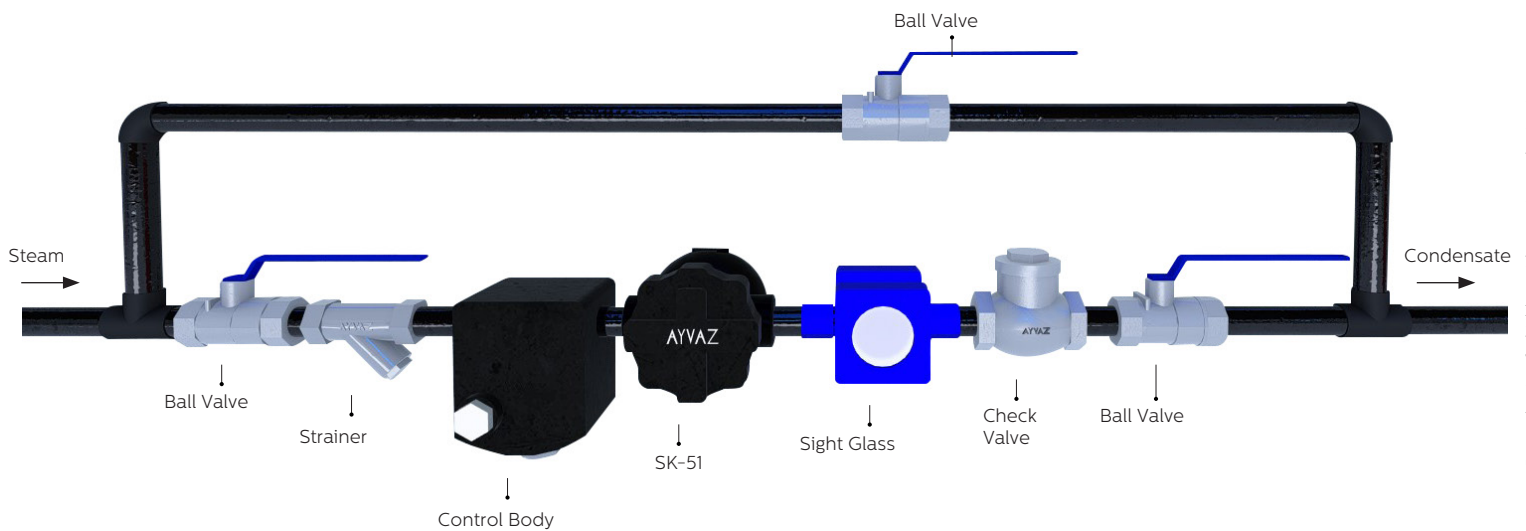


		DIMENSIONS				
SIZE	ARTICLE NO	FLANGED				
		A (mm)	K (mm)	B (mm)	C (mm)	D (mm)
DN 15	703200102000	150	150	108	68	122
DN 20	703200102003	150	150	108	68	122
DN 25	703200102010	160	167	108	107	145

# SK-51 FLOAT TYPE STEAM TRAP

## INSTALLATION

### 3D INSTALLATION SAMPLE



2018 - Non contractual document - Reproduction forbidden without prior authorization



#### HEAD OFFICE - FACTORY

Atatürk Sanayi Bölgesi Hadımköy Mahallesi Mustafa İnan Caddesi No: 44 Arnavutköy - İSTANBUL  
Tel: +90 212 771 01 45 (pbx) | Fax: +90 212 771 47 27  
info@ayvaz.com | www.ayvaz.com

#### Caserta/Italy

Tel: +39 0823 187 3988  
rmolaro@ayvaz.com

#### Moscow/Russia

Tel: +74959951728  
ayvazrus@ayvaz.com

#### Viernheim/Germany

Tel: +49 62046014399  
germany@ayvaz.com

#### Kiev/Ukraine

Tel: +380 44 390 57 57  
info@ayvaz.com.ua

#### Warsaw/Poland

Tel: +48-32-783-295-1  
tricorr@tricorr.eu

#### Dubai/U.A.E

Tel: +971 563550822  
+971 501306871  
mideast@ayvaz.com

#### Cixi City/China

Tel: +86 574-58973851  
info@ayvazchina.com

#### Kazakhstan

Tel: +7 (701) 066 066 1  
+90 (533) 760 34 66  
celyas@ayvaz.com

#### İsperih/Bulgaria

Tel: +359 8431 27 32  
office@ayvaz-n.eu

#### Belgrad/Serbia

Tel: +381 61 658 70 52  
yakbiyik@ayvaz.com