

# STAINLESS STEEL BALL VALVE WAFER TYPE - GN16

## Ref. 771

Ref. : DS 771

Rev. : 8

Date : 01/09

Page 1/2



Valves and fittings

90 rue du ruisseau 38297 ST QUENTIN FALLAVIER  
Tel:(33)04.74.94.15.90 Fax:(33)04.74.95.62.08  
E.mail : sferaco@sferaco.fr

### SPECIFICATIONS :

- . Full bore
- . Anti blow-out stem
- . ISO 5211 mounting pad
- . Threaded hole flanges

### USE :

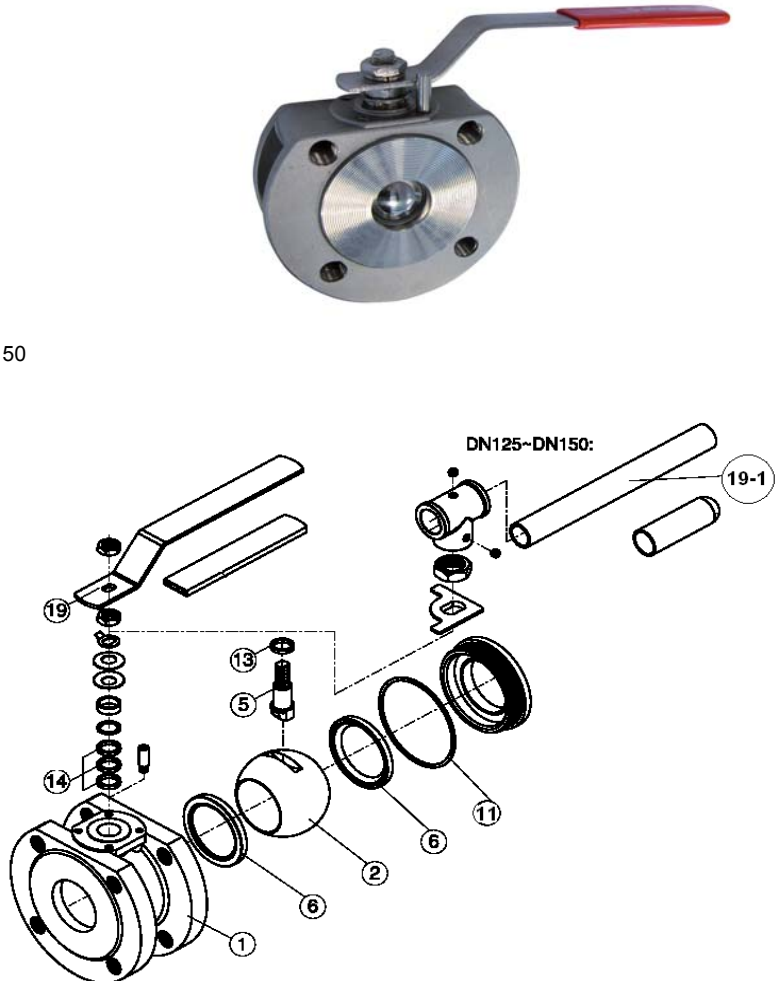
- . For all common fluids
- . Max temperature Ts : 180°C see graph
- . Max pressure Ps : 16 bars see graph

### RANGE :

- . Between flanges GN16 stainless steel Ref. 771 DN15 to DN150

### MATERIALS :

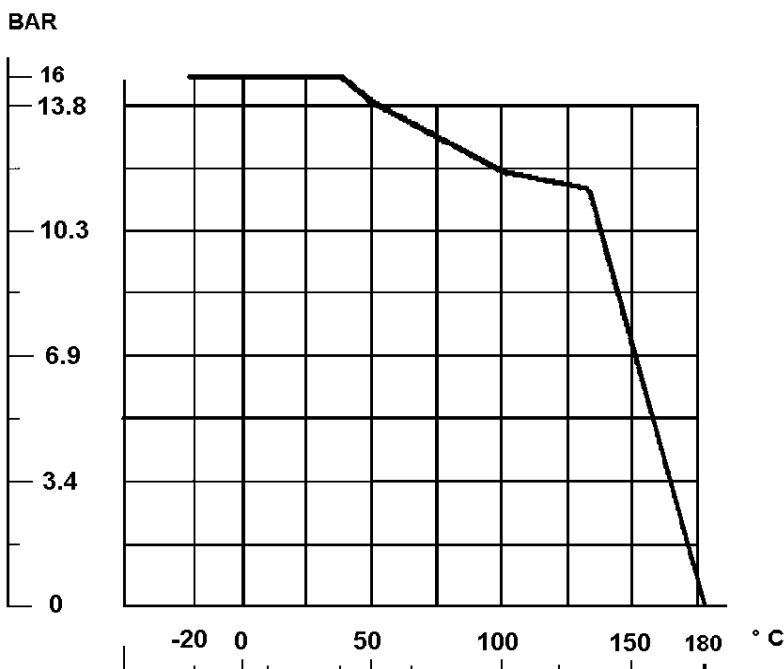
Item	DESIGNATION	MATERIALS
1	Body	A 351 CF8M
2	Ball	SS 316
5	Stem	SS 316
6	Seat	PTFE
13+14	Packing	PTFE
11	Gasket	PTFE
	Nut	SS 304
19	Handle DN 15-100	SS 304
19-1	Handle DN125-150	Carbon steel



### STANDARDS :

- . DIRECTIVE 97/23/CE : CE N° 0035  
Risk category II
- . ATEX 94/9/EC ( Group II Category 2 )

### GRAPH PRESSURE / TEMPERATURE :



# STAINLESS STEEL BALL VALVE WAFER TYPE - GN16

## Ref. 771

Ref. : DS 771

Rev. : 8

Date : 01/09

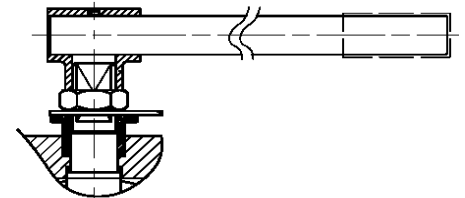
Page 2/2



90 rue du ruisseau 38297 ST QUENTIN FALLAVIER  
Tel: (33)04.74.94.15.90 Fax: (33)04.74.95.62.08  
E.mail : sferaco@sferaco.fr

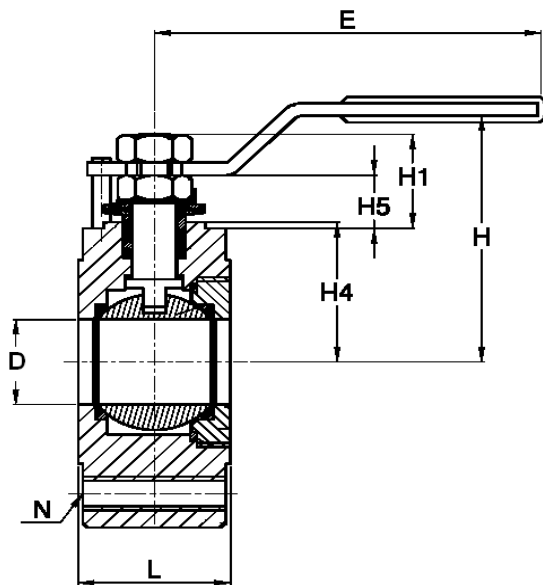
**SIZE :**

	DN	15	20	25	32	40	50	65	80	100	125	150	
Ref. 771	D	15	20	25	32	38	50	64	76	96	118	138	
	L	35	38	44	54	62	80	101	118	150	179	202	
	H	70	74	75	87	90	99	141	150	172	205	220	
	E	116	116	165	165	193	193	235	235	266	400	600	
	H1	19,2	16,5	17,5	24	24	24	25,5	25,5	49	50	50	
	H4	32	38	42	50	54	62	82	91	107	117	130	
	H5	10,5	7,5	7,5	12	12	12	14,5	14,5	24	31	31	
	N	M12	M12	M12	M16	M16	M16	M16	M16	M16	M16	M16	M20
	C	6,35	6,35	6,35	8	8	8	9,5	9,5	17	17	17	
	Y	9,6	9,6	9,6	11,2	11,2	11,2	16	16	28	28	28	
	K	36	36	36	42	50	50	70	70	102	102	125	
	X	25	25	25	32	35	35	53	53	55	55	60	
	T	7	7	7,5	17	19	19,5	17	20	21	22	22	
	Weig.	0,95	1,5	1,93	3,2	4,8	5,52	9,28	12,6	19	30	41	

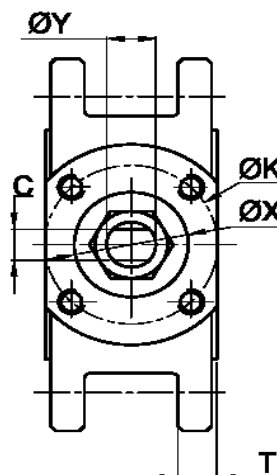
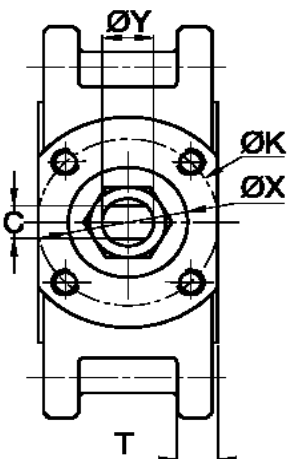
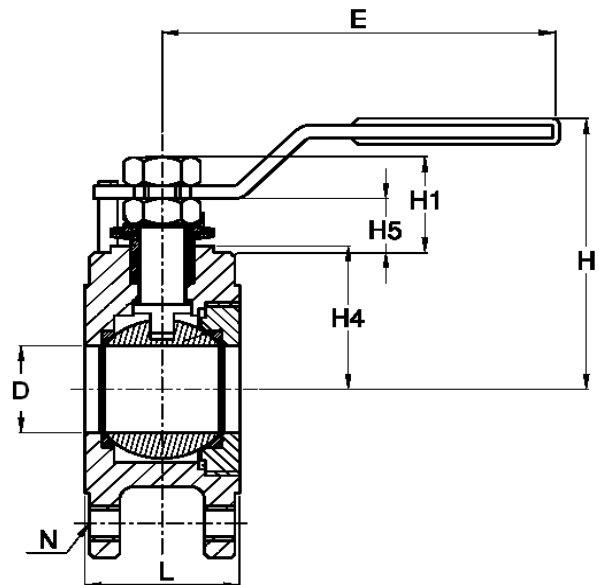


DN125~DN150

DN15 to DN25



DN 32 to 100



**ADVICE :** Our opinion and our advice are not guaranteed and SFERACO shall not be liable for the consequences of damages. The customer must check the right choice of the products with the real service conditions.