

WAFER BUTTERFLY VALVE FOR GAS NF ROBGAZ N° ROB 064-R2

Ref. 1141

Ref. : DS 1141

Rev. : 9

Date : 06/09

Page 1/5



Valves and fittings

90 rue du ruisseau 38297 ST QUENTIN FALLAVIER
Tel: (33)04.74.94.15.90 Fax: (33)04.74.95.62.08
E.mail : sferaco@sferaco.fr

SPECIFICATIONS :

- . Certificate NF ROBGAZ N° ROB 064-R2 according to NF EN 13774 & NF EN 549
- . Long neck for isolation
- . ISO 5211 mounting pad
- . Wafer Type
- . Between flanges GN10
- . Full crossing stem
- . Removable elastic ring
- . Stainless steel butterfly up to DN100
- . Rilsan coated body color RAL 5024 of 250-300 microns thickness
- . Locking device , lever with 9 positions



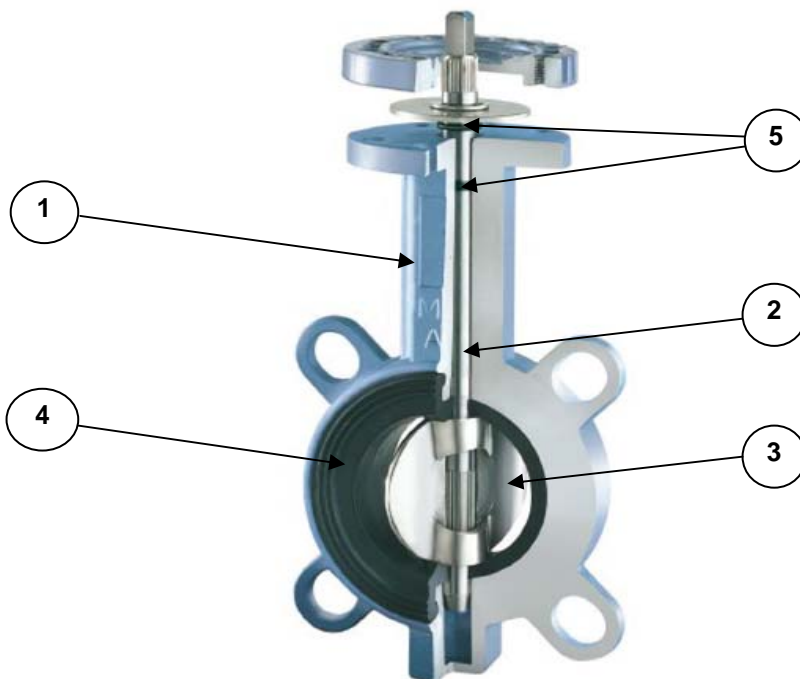
USE :

- . Gas
- . Max temperature Ts : 60°C
- . Mini temperature Ts : - 20°C
- . Max pressure Ps : 5 bars (MOP 5)

RANGE :

- . With lever from DN40 to DN200
- . Possible with gear box (Ref.1197) from DN40 to DN200

MATERIALS :



N°	DESIGNATION	MATERIALS
1	Body	EN-GJS-500.7 rilsan coated
2	Stem	SS 420
3	Butterfly DN40 to DN100	SS 316
3	Butterfly DN125 to DN200	chromed EN-GJS-500.7
4	Seat	BUNA for Gas
5	O-rings	NBR

WAFER BUTTERFLY VALVE FOR GAS NF ROGAZ N° ROB 064-R2

Ref. 1141

Ref. : DS 1141

Rev. : 9

Date : 06/09

Page 2/5



Valves and fittings

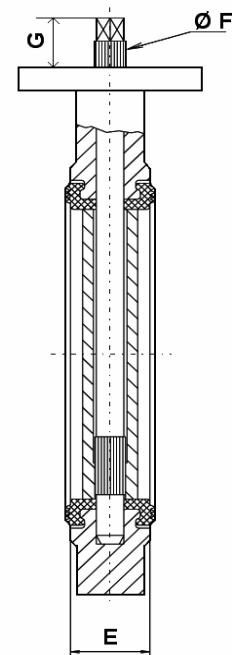
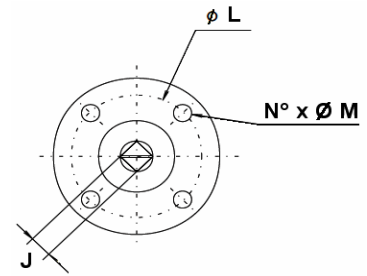
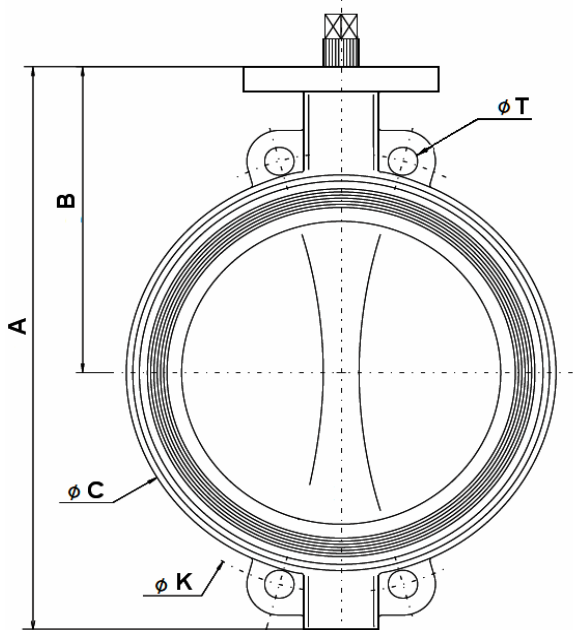
90 rue du ruisseau 38297 ST QUENTIN FALLAVIER

Tel: (33)04.74.94.15.90 Fax: (33)04.74.95.62.08

E.mail : sferaco@sferaco.fr

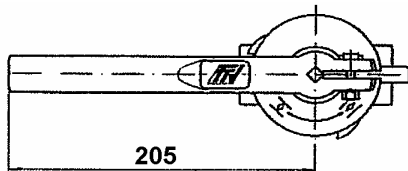
SIZE (GN10) :

1. Valves :

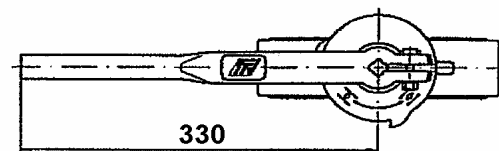


DN	40	50	65	80	100	125	150	200
A	206	228	243	266	294	324	349	438
B	140	156	162	170	185	207	216	256
C	82	102	119	135	155	185	208	270
E	33	43	46	46	52	56	56	60
F	10,5	10,5	14,5	16,5	16,5	18,5	18,5	22,5
G	30	30	30	30	30	30	30	30
J	8	8	9	11	11	14	14	17
K	110	125	145	160	180	210	240	295
L	70	70	70	70	70	70	70	70
N° x M	4 x 9	4 x 9	4 x 9	4 x 9	4 x 9	4 x 9	4 x 9	4 x 9
T	18	18	18	18	18	18	23	23
Weig.	2	3,5	4,5	5	6,5	8	9	15

2. Levers :



DN 40 - 100



DN 125 - 200

WAFER BUTTERFLY VALVE FOR GAS NF ROBGAZ N° ROB 064-R2

Ref. 1141

Ref. : DS 1141

Rev. : 9

Date : 06/09

Page 3/5

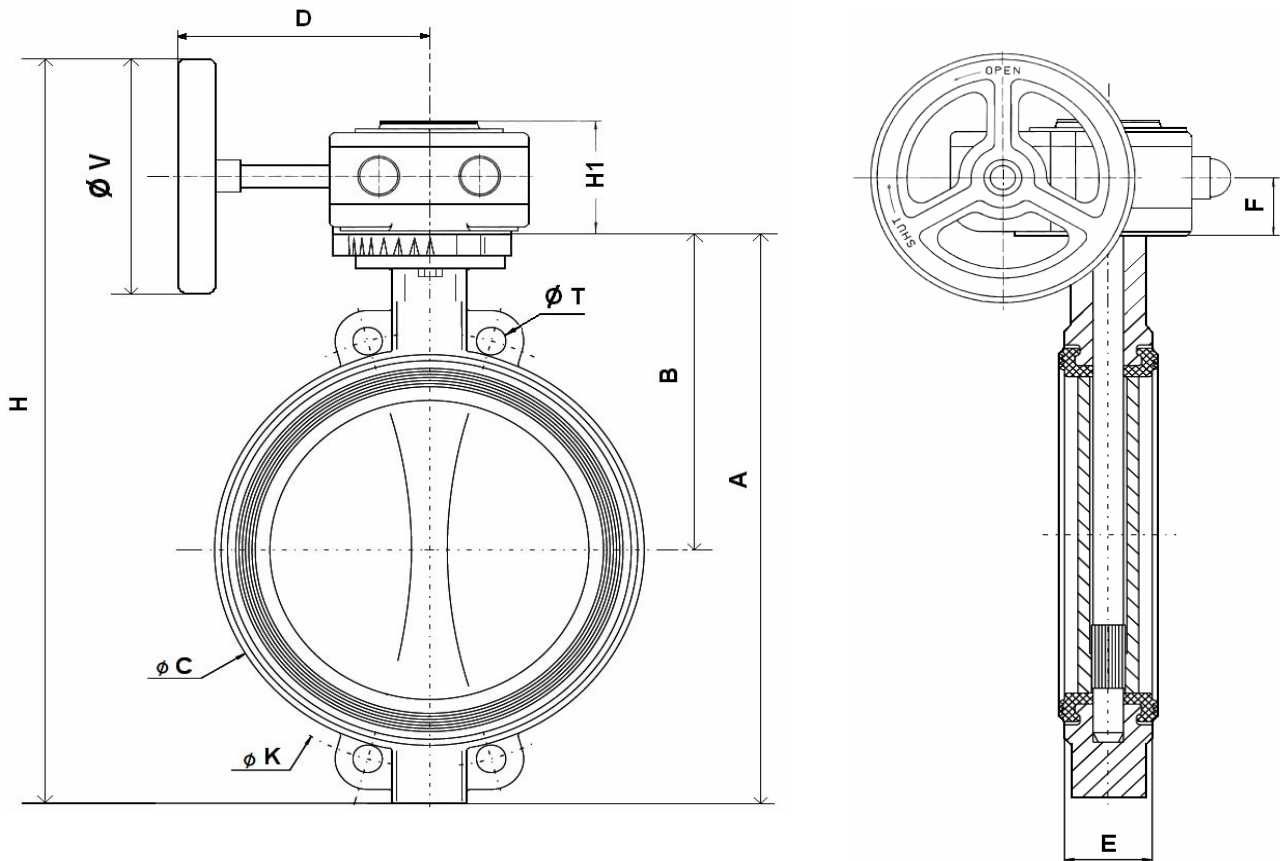


Valves and fittings

90 rue du ruisseau 38297 ST QUENTIN FALLAVIER
Tel: (33)04.74.94.15.90 Fax: (33)04.74.95.62.08
E.mail : sferaco@sferaco.fr

SIZE (GN10) :

3. Valves with gear box :



DN	40	50	65	80	100	125	150	200
A	206	228	243	266	294	324	349	438
B	140	156	162	170	185	207	216	256
C	82	102	119	135	155	185	208	270
D	120	120	120	120	120	120	120	120
E	33	43	46	46	52	56	56	60
F	28	28	28	28	28	28	28	28
H	304	326	341	364	392	452	477	566
H1	58	58	58	58	58	58	58	58
K	110	125	145	160	180	210	240	295
T	18	18	18	18	18	18	23	23
V	140	140	140	140	140	200	200	200
Weig.	3,2	4,7	5,7	6,2	7,7	9,9	10,9	16,9

WAFER BUTTERFLY VALVE FOR GAS NF ROGAZ N° ROB 064-R2

Ref. 1141

Ref. : DS 1141

Rev. : 9

Date : 06/09

Page 4/5



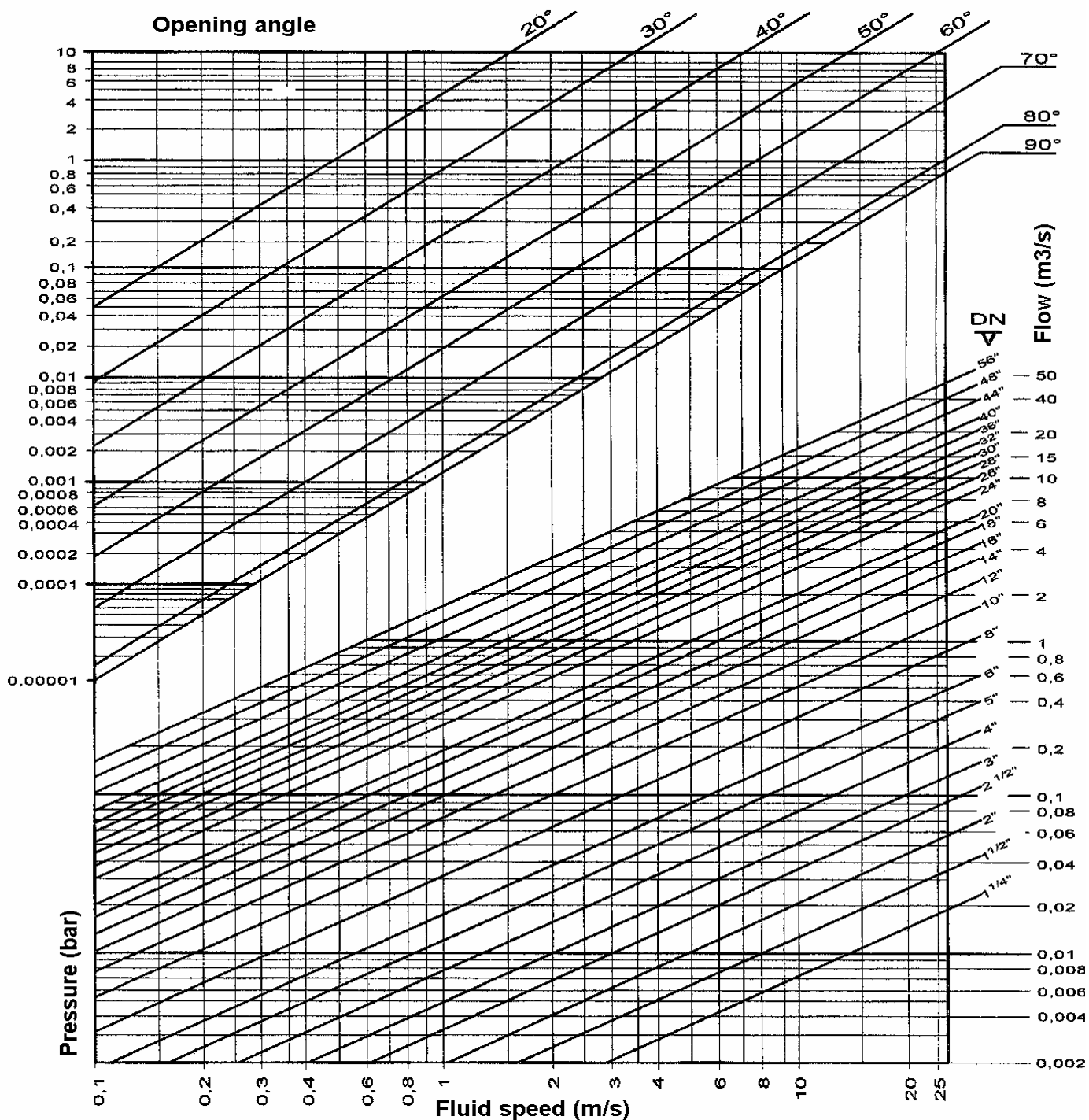
Valves and fittings

90 rue du ruisseau 38297 ST QUENTIN FALLAVIER
Tel:(33)04.74.94.15.90 Fax:(33)04.74.95.62.08
E.mail : sferaco@sferaco.fr

TORQUE VALUE (Nm , with safety coefficient of 30% included) :

DN	40	50	65	80	100	125	150	200
PN5	9	11	20	29	47	82	130	210

HEAD LOSS :



**WAFER BUTTERFLY VALVE
FOR GAS NF ROGAZ N° ROB 064-R2**

Ref. 1141

Ref. : DS 1141

Rev. : 9

Date : 06/09

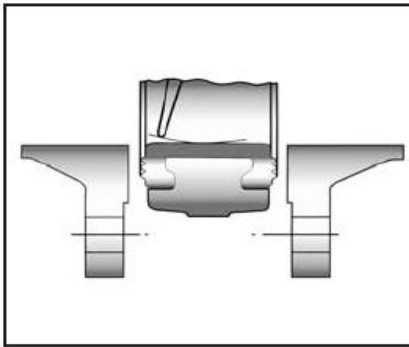
Page 5/5



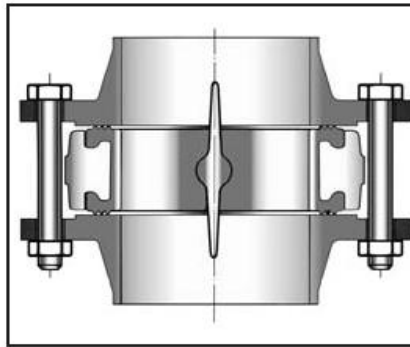
Valves and fittings

90 rue du ruisseau 38297 ST QUENTIN FALLAVIER
Tel: (33)04.74.94.15.90 Fax: (33)04.74.95.62.00
E.mail : sferaco@sferaco.fr

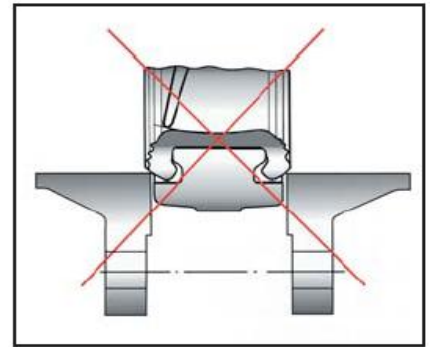
NECESSARY INSTRUCTIONS FOR GOOD USING :



Half open valve introduction



**Complete opened disc valves
when screw tightening**



Do not mount butterfly valves with stainless steel pressed collars and turning flanges.

And not on flat face flanges without strias (example : painted cast iron fittings)

STANDARDS :

- . Certificate NF ROGAZ N° ROB 064-R2 according to NF EN 13774 & NF EN 549
- . Length according to ISO 5752 NF 29305
- . Test according to ISO 5208
- . ATEX Group II Category 2

ADVICE : Our opinion and our advice are not guaranteed and SFERACO shall not be liable for the consequences of damages. The customer must check the right choice of the products with the real service conditions.