

# LUG BUTTERFLY VALVE FOR HVAC Ref. 1135

Ref. : DS 1135

Rev. : 7

Date : 03/09

Page 1/4



Valves and fittings

90 rue du ruisseau 38297 ST QUENTIN FALLAVIER

Tel:(33)04.74.94.15.90 Fax:(33)04.74.95.62.08

E.mail : sferaco@sferaco.fr

## SPECIFICATIONS :

- . Long neck for isolation
- . ISO mounting pad 5211
- . Lug type
- . Between flanges GN10/GN16 from DN40 to DN150
- . Between flanges GN10 from DN200 to DN300
- . Full crossing stem
- . 10 positions cranted lever
- . Tightness PTFE on stem
- . Cast iron butterfly
- . Epoxy painting of 80 micron thickness color RAL 003
- . Vulcanised elastic ring



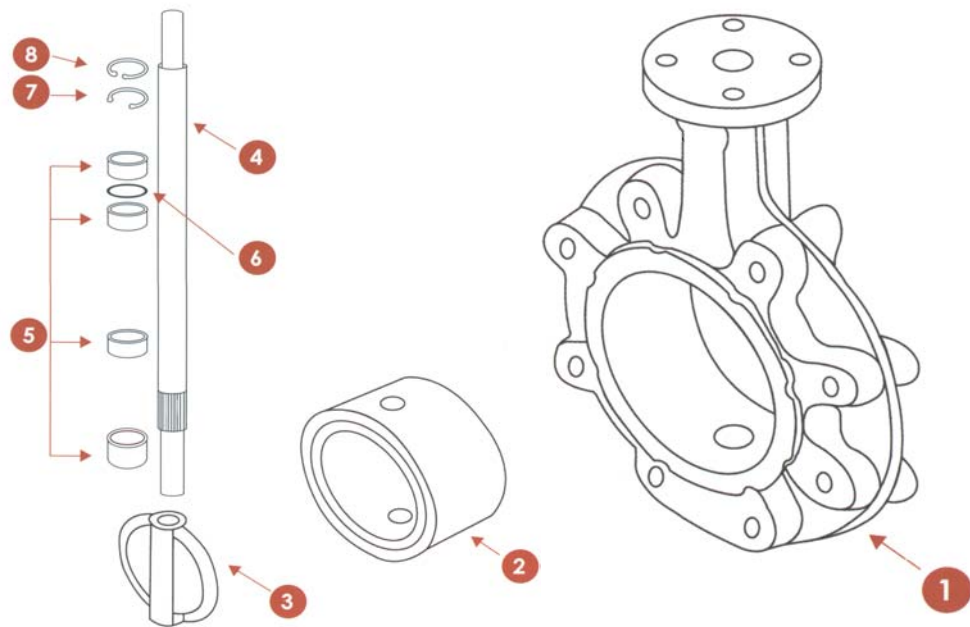
## USE :

- . For HVAC
- . Operating temperature Ts : -10°C to 90°C ( Temporarily 110°C )
- . Max pressure Ps : 16 bars up to DN200 ( 10 bars over )

## RANGE :

- . Hand lever from DN40 to DN300
- . Worm gear possible ( Ref.1198 ) from DN40 to DN300

## MATERIALS :



N°	DESIGNATION	MATERIALS
1	Body	Cast iron EN-GJL 250
2	Elastic ring	EPDM
3	Disc	Nickeled EN-GJS-400-15
4	Stem	SS 416
5	Bearing	PTFE
6	O ring	NBR
7,8	Circlip	Steel
	Lever	Aluminium

# LUG BUTTERFLY VALVE FOR HVAC Ref. 1135

Ref. : DS 1135

Rev. : 7

Date : 03/09

Page 2/4

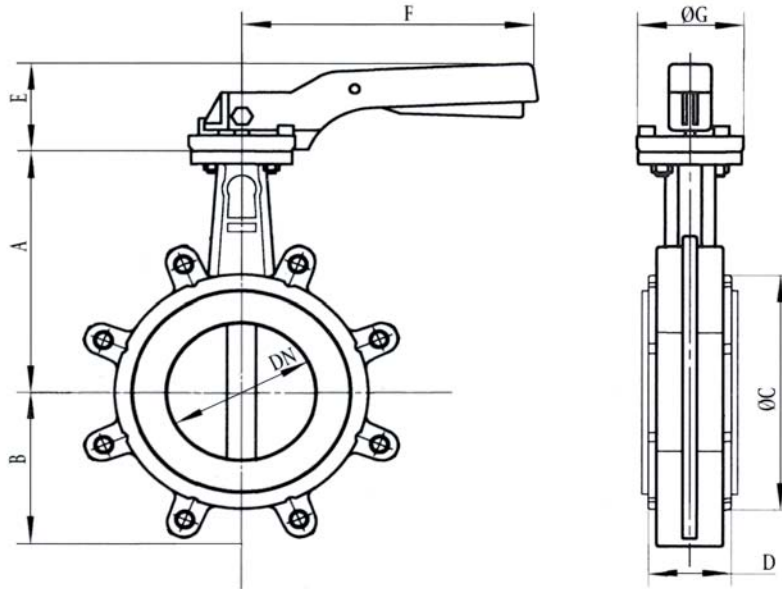


Valves and fittings

90 rue du nuisseau 38297 ST QUENTIN FALLAVIER  
Tel:(33)04.74.94.15.90 Fax:(33)04.74.95.62.08  
E.mail : sferaco@sferaco.fr

**SIZE :**

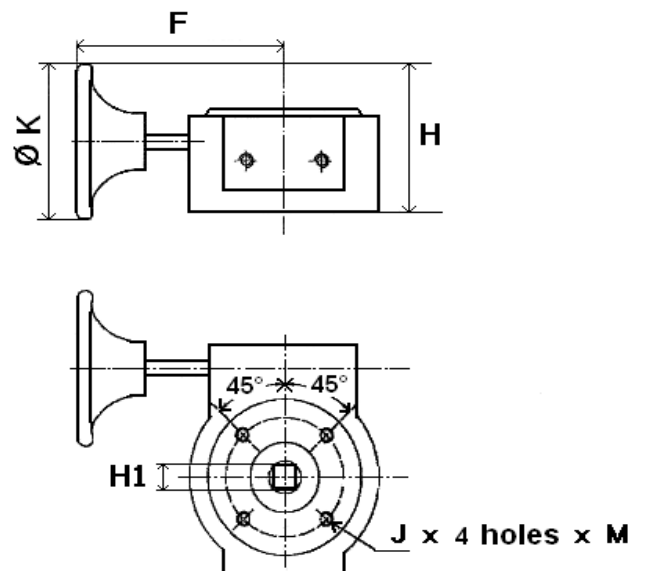
**1. VALVES**



	DN	40	50	65	80	100	125	150	200	250	300
Ref. 1135	A	130	136,5	142	158	180	192	215	242	280	310
	B	61	77	87,5	95	107	121,5	144	171	205	235
	C	82	95	109	127	152	180	207	260	315	370
	D	33	43	46	46	52	56	56	60	68	78
	E	74	74	74	74	74	79	79	37	37	37
	F	200	200	200	200	200	278	278	355	507	507
	G	65	65	65	65	65	90	90	125	150	150
	Stem	9	9	9	9	11	14	14	17	22	27
	ISO	F05	F05	F05	F05	F05	F07	F07	F10	F12	F12
	Weight	2,7	3,3	4,05	5,35	6,2	9,65	11,75	18,25	32,25	45

**2. WORM GEAR**

	DN	40/80	100	125/150	200	250	300
Ref. 1198	F	156	156	156	241	223	223
	H	116	116	168	192,5	189,5	189,5
	K	150	150	250	300	300	300
	H1	9	11	14	17	22	27
	J	50	50	70	102	125	125
	M	6	6	8	10	12	12
	Weight	4,25	4,25	4,25	9,1	10,4	10,4



# LUG BUTTERFLY VALVE FOR HVAC Ref. 1135

Ref. : DS 1135

Rev. : 7

Date : 03/09

Page 3/4



Valves and fittings

90 rue du ruisseau 38297 ST QUENTIN FALLAVIER  
Tel:(33)04.74.94.15.90 Fax:(33)04.74.95.62.08  
E.mail : sferaco@sferaco.fr

**TORQUE VALUE ( Nm , without coefficient ) :**

DN	40	50	65	80	100	125	150	200	250	300
PN10	11	15	24	31	48	73	106	177	281	410
PN16	12	16	26	33	53	81	119	194		

We recommend a safety coefficient of 30% minimum to determinate the actuator.

**FLOW COEFFICIENT Kv ( M3 / H ) :**

DN	40	50	65	80	100	125	150	200	250	300	
O p e n i n g  a n g l e	10°	0,04	0,05	0,09	0,17	0,26	0,43	0,68	1,7	2,6	3,4
	20°	2	3	5	8	15	25	38	76	129	200
	30°	5	6	10	15	31	52	81	160	273	422
	40°	10	13	21	33	67	113	175	348	592	914
	50°	18	23	38	60	119	202	312	620	1055	1630
	60°	30	38	64	99	196	334	516	1025	1746	2697
	70°	48	60	102	156	310	529	817	1623	2764	4269
	80°	72	90	152	235	466	793	1226	2434	4145	6403
	90°	78	98	167	258	512	872	1347	2675	4555	7037

# LUG BUTTERFLY VALVE FOR HVAC Ref. 1135

Ref. : DS 1135

Rev. : 7

Date : 03/09

Page 4/4



Valves and fittings

90 rue du ruisseau 38297 ST QUENTIN FALLAVIER  
Tel: (33)04.74.94.15.90 Fax: (33)04.74.95.62.08  
E.mail : sferaco@sferaco.fr

## STANDARDS :

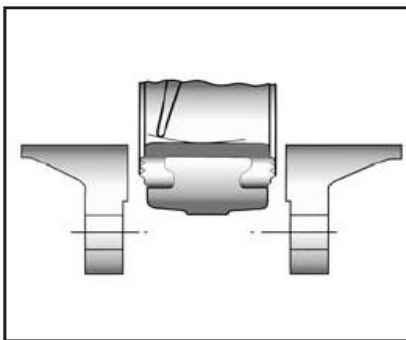
. Length according to ISO 5752 NF 29305

. Test according to API 598

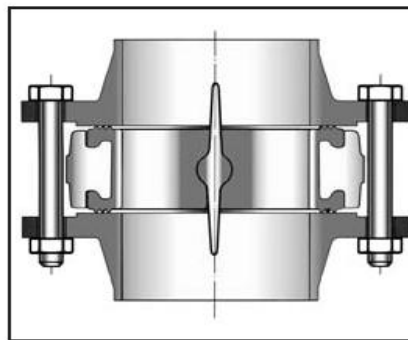
. DIRECTIVE 97/23/CE : CE 0035

. Risk category I-III module H

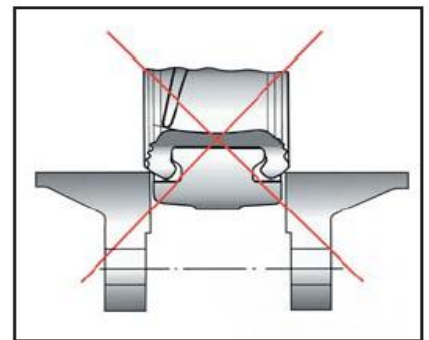
## NECESSARY INSTRUCTIONS FOR GOOD USING



Half open valve introduction



Complete opened disc valves  
when screw tightening



**Do not mount butterfly valves with stainless steel pressed collars and turning flanges.**

**And not on flat face flanges without strias ( example : painted cast iron fittings )**