

WAFER BUTTERFLY VALVE FOR HVAC Ref. 1125

Ref. : DS 1125

Rev. : 7

Date : 02/09

Page 1/4



Valves and fittings

90 rue du ruisseau 38297 ST QUENTIN FALLAVIER

Tel: (33)04.74.94.15.90 Fax: (33)04.74.95.62.08

E. mail : sferaco@sferaco.fr

SPECIFICATIONS :

- . Long neck for isolation
- . ISO 5211 mounting pad
- . Wafer Type
- . Between flanges GN10/GN16 or ASA150 from DN40 to DN600
- . Between flanges GN10 for DN700
- . Full crossing stem
- . 10 positions cranted lever with locking device
- . Tightness PTFE on stem
- . Cast iron butterfly
- . Epoxy painting of 80 micron thickness color RAL 003
- . Vulcanised elatisc ring



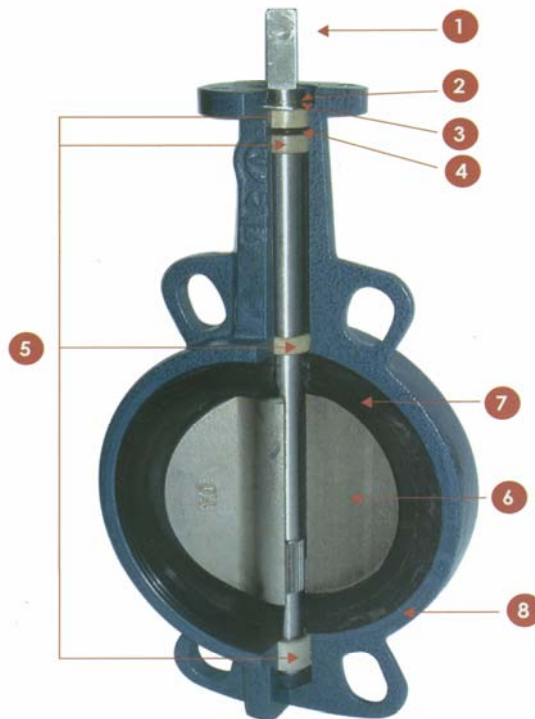
USE :

- . For common fluids
- . Operating temperature Ts : -10°C to 90°C (Temporarily 110°C)
- . Max Pressure Ps : 16 bars up to DN200 (10 bars over)

RANGE :

- . Hand lever from DN40 to DN300
- . Worm gear from DN350 to DN700

MATERIALS :



N°	DESIGNATION	MATERIALS
1	Stem	SS 416
2	Circlip	Steel
3	Washer	Steel
4	O-ring	NBR
5	Bearing	PTFE
6	Disc	Nickeled EN-GJS-400-15
7	Elastic ring	EPDM
8	Body	Cast iron EN-GJL 250
	Lever	Aluminium

WAFER BUTTERFLY VALVE FOR HVAC Ref. 1125

Ref. : DS 1125

Rev. : 7

Date : 02/09

Page 2/4

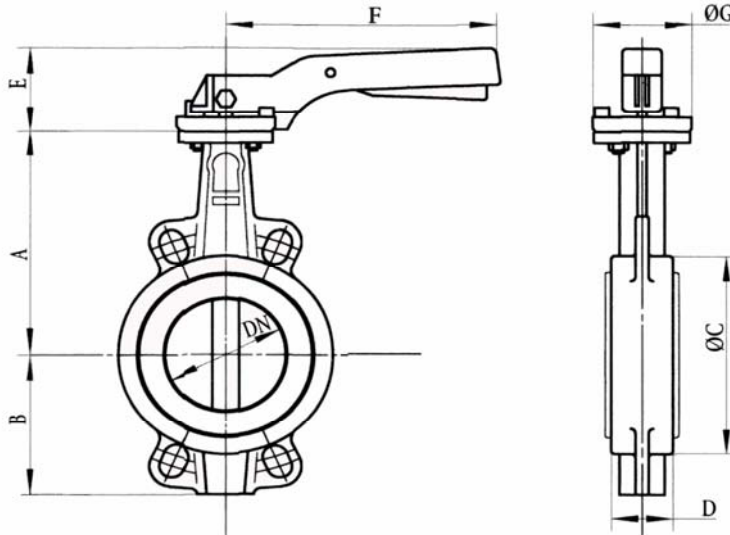


Valves and fittings

90 rue du ruisseau 38297 ST QUENTIN FALLAVIER
Tel: (33)04.74.94.15.90 Fax: (33)04.74.95.62.08
E.mail : sferaco@sferaco.fr

SIZE :

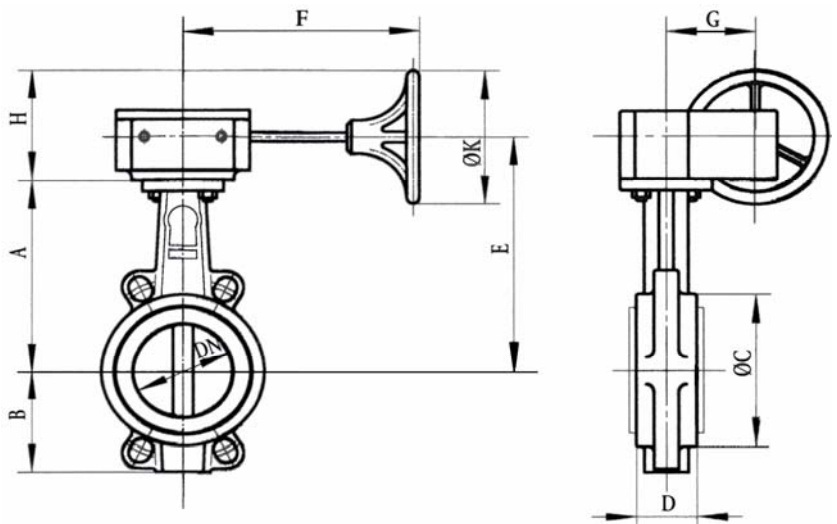
VALVES WITH HAND LEVER



Ref.	DN	40	50	65	80	100	125	150	200	250	300
1125	A	130	136,5	142	158	180	192	215	242	280	310
	B	61	77	87,5	95	107	121,5	144	171	205	235
	C	82	95	109	127	152	180	207	260	315	370
	D	33	43	46	46	52	56	56	60	68	78
	E	74	74	74	74	74	79	79	37	37	37
	F	200	200	200	200	200	278	278	355	507	507
	G	65	65	65	65	65	90	90	125	150	150
	Stem	9	9	9	9	11	14	14	17	22	27
	ISO	F05	F05	F05	F05	F05	F07	F07	F10	F12	F12
	Weight	2	2,5	3,1	3,85	4,75	6,35	8,5	13	29,75	37,65

VALVES WITH WORM GEAR

Ref.	DN	350	400	450	500	600	700
1125	A	337	357,3	380	426,3	616,5	629
	B	258,5	303,3	365	392	513,5	539
	C	418	470	525	575	693	800
	D	78	102	114	127	154	165
	E	376,5	415,2	437,9	497,8	688	705
	F	223	270	270	339	339	357
	G	78	120	120	120	120	243
	H	189,5	207,9	257,5	221,5	221,5	381,5
	K	300	300	400	300	300	435
	Stem	27	27	30	30	40	Ø 63,35
ISO	F12	F12	F16	F16	F16	F25	
Weight	54,5	89,85	107,4	155,8	231,1	608	



WAFER BUTTERFLY VALVE FOR HVAC Ref. 1125

Ref. : DS 1125

Rev. : 7

Date : 02/09

Page 3/4

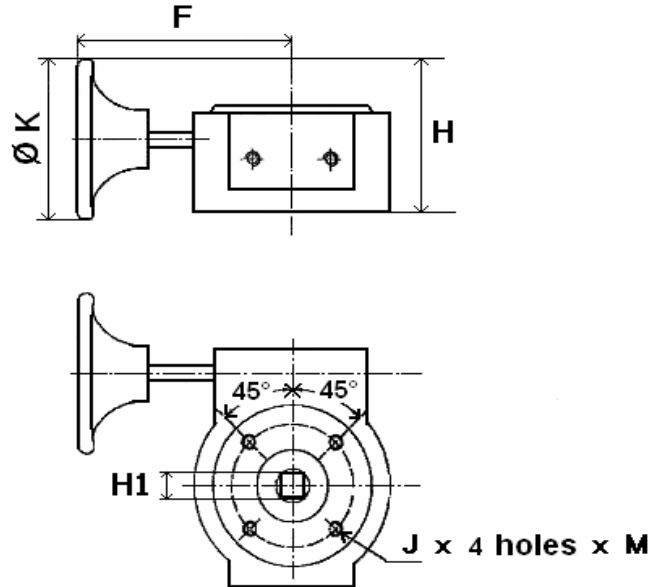


90 rue du ruisseau 38297 ST QUENTIN FALLAVIER
Tel: (33)04.74.94.15.90 Fax: (33)04.74.95.62.08
E.mail : sferaco@sferaco.fr

SIZE :

WORM GEAR

Ref.	DN	40/80	100	125/150	200	250	300
1198	F	156	156	156	241	223	223
	H	116	116	168	192,5	189,5	189,5
	K	150	150	250	300	300	300
	H1	9	11	14	17	22	27
	J	50	50	70	102	125	125
	M	6	6	8	10	12	12
	Weight	4,25	4,25	4,25	9,1	10,4	10,4



TORQUE VALUE (Nm , without coefficient) :

DN	40	50	65	80	100	125	150	200	250	300	350	400	450	500	600	700
PN10	11	15	24	31	48	73	106	177	281	410	475	746	1112	1356	2468	
PN16	12	16	26	33	53	81	119	194								

We recommend a safety coefficient of 30% minimum to determinate the actuator.

FLOW COEFFICIENT Kv (M3 / H) :

DN	40	50	65	80	100	125	150	200	250	300	350	400	450	500	600	700
Opening angle	10°	0,04	0,05	0,09	0,17	0,26	0,43	0,68	1,7	2,6	3,4	5,1	6,8	9,4	11,9	18,8
	20°	2	3	5	8	15	25	38	76	129	200	288	396	525	675	1042
	30°	5	6	10	15	31	52	81	160	273	422	610	839	1101	1428	2207
	40°	10	13	21	33	67	113	175	348	592	914	1321	1817	2407	3095	4781
	50°	18	23	38	60	119	202	312	620	1055	1630	2355	3239	4289	5515	8521
	60°	30	38	64	99	196	334	516	1025	1746	2697	3897	5359	7097	9125	14098
	70°	48	60	102	156	310	529	817	1623	2764	4269	6167	8481	11232	14442	22312
	80°	72	90	152	235	466	793	1226	2434	4145	6403	9250	12720	16848	21662	33468
	90°	78	98	167	258	512	872	1347	2675	4555	7037	10165	13799	18514	23805	36778

WAFER BUTTERFLY VALVE FOR HVAC Ref. 1125

Ref. : DS 1125

Rev. : 7

Date : 02/09

Page 4/4



Valves and fittings

90 rue du ruisseau 38297 ST QUENTIN FALLAVIER
Tel: (33)04.74.94.15.90 Fax: (33)04.74.95.62.08
E. mail : sferaco@sferaco.fr

STANDARDS :

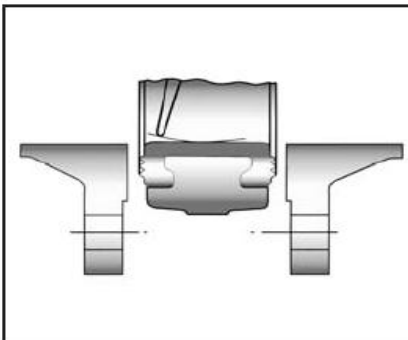
. Length according to ISO 5752 NF 29305

. Test according to API 598

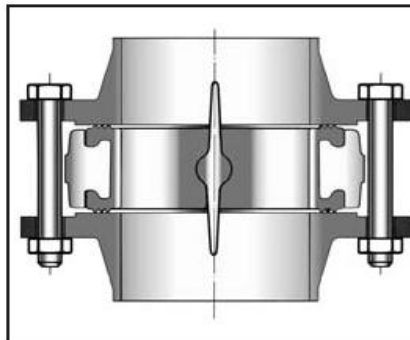
. DIRECTIVE 97/23/CE : CE 0035

. Risk category I-III module H

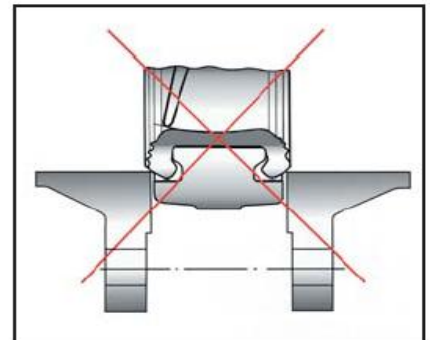
NECESSARY INSTRUCTIONS FOR GOOD USING



Half open valve introduction



Complete opened disc valves
when screw tightening



Do not mount butterfly valves with stainless steel pressed collars and turning flanges.

And not on flat face flanges without strias (example : painted cast iron fittings)